



MOTOREN

Produktkatalog / *product catalogue*

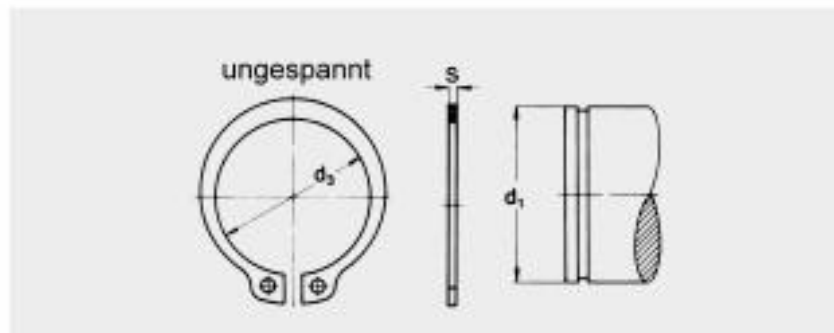


Sicherungsringe
Seeger Rings

Warengruppe / <i>group:</i>	Wälzlager-Dichtungen / <i>Bearings-Seals</i>
Dateiname / <i>filename:</i>	weiss-motoren_sr.pdf
Versionsdatum / <i>date of version:</i>	2009-09-23

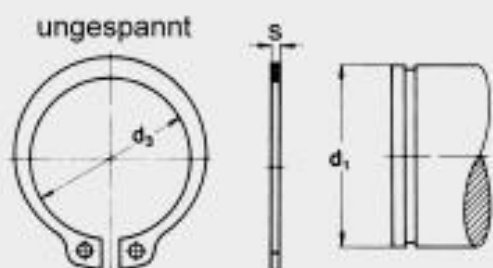
Alle Informationen ohne Gewähr! Wir behalten uns technische und organisatorische Änderungen vor.
Die Warenzeichen entsprechen jenen der genannten Firmen.
*All information without guarantee. We reserve any change of technik and organisation.
The trademarks are corresponding to those of the companies.*

Sicherungsringe für Wellen, DIN 471



Type (d1)	d3	s	Type (d1)	d3	s	Type (d1)	d3	s
SR A 003	2.7	0.4	SR A 027	24.9	1.2	SR A 054	49.8	2
SR A 004	3.7	0.4				SR A 055	50.8	2
SR A 005	4.7	0.6	SR A 028	25.9	1.5	SR A 056	51.8	2
SR A 006	5.6	0.7	SR A 029	26.9	1.5	SR A 057	52.8	2
SR A 007	6.5	0.8	SR A 030	27.9	1.5	SR A 058	53.8	2
SR A 008	7.4	0.8	SR A 031	28.6	1.5	SR A 060	55.8	2
SR A 009	8.4	1	SR A 032	29.6	1.5	SR A 062	57.8	2
SR A 010	9.3	1	SR A 033	30.5	1.5	SR A 063	58.8	2
SR A 011	10.2	1	SR A 034	31.5	1.5	SR A 065	60.8	2.5
SR A 012	11	1	SR A 035	32.2	1.5	SR A 067	62.5	2.5
SR A 013	11.9	1	SR A 036	33.2	1.75	SR A 068	63.5	2.5
SR A 014	12.9	1	SR A 037	34.2	1.75	SR A 070	65.5	2.5
SR A 015	13.8	1	SR A 038	35.2	1.75	SR A 072	67.5	2.5
SR A 016	14.7	1	SR A 039	36	1.75	SR A 075	70.5	2.5
SR A 017	15.7	1	SR A 040	36.5	1.75	SR A 077	72.5	2.5
SR A 018	16.5	1.2	SR A 041	37.5	1.75	SR A 078	73.5	2.5
SR A 019	17.5	1.2	SR A 042	38.5	1.75	SR A 080	74.5	2.5
SR A 020	18.5	1.2	SR A 044	40.5	1.75	SR A 082	76.5	2.5
SR A 021	19.5	1.2	SR A 045	41.5	1.75	SR A 085	79.5	3
SR A 022	20.5	1.2	SR A 046	42.5	1.75	SR A 087	81.5	3
SR A 023	21.5	1.2	SR A 047	43.5	1.75	SR A 088	82.5	3
SR A 024	22.2	1.2	SR A 048	44.5	1.75	SR A 090	84.5	3
SR A 025	23.2	1.2	SR A 050	45.8	2	SR A 092	86.5	3
SR A 026	24.2	1.2	SR A 052	47.8	2	SR A 095	89.5	3
						SR A 097	91.5	3
						SR A 098	91.5	3
						SR A 100	94.5	3
						SR A 102	95	4
						SR A 105	98	4
						SR A 107	100	4

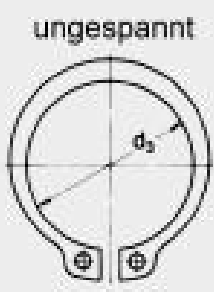
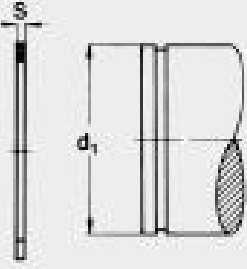
Sicherungsringe für Wellen, DIN 471



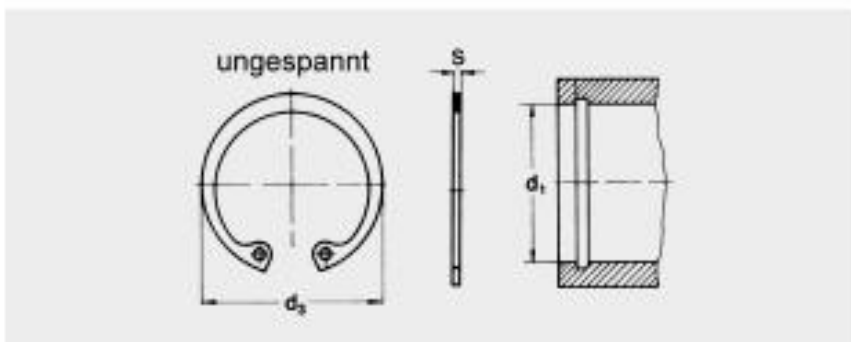
Type (d1)	d3	s
SR A 202	190	5
SR A 205	193	5
SR A 207	193	5
SR A 208	193	5
SR A 210	198	5
SR A 212	198	5
SR A 215	203	5
SR A 217	203	5
SR A 218	203	5
SR A 220	208	5
SR A 222	208	5
SR A 225	213	5
SR A 227	213	5
SR A 228	213	5
SR A 230	218	5
SR A 232	218	5
SR A 235	223	5
SR A 237	223	5
SR A 238	223	5
SR A 240	228	5
SR A 242	228	5
SR A 245	233	5
SR A 247	233	5
SR A 248	233	5
SR A 250	238	5
SR A 252	238	5
SR A 255	240	5
SR A 257	240	5
SR A 258	240	5
SR A 260	245	5
SR A 262	245	5

Type (d1)	d3	s	Type (d1)	d3	s
SR A 108	100	4	SR A 155	146	4
SR A 110	103	4	SR A 157	148	4
			SR A 158	148	4
SR A 112	105	4			
SR A 115	108	4	SR A 160	151	4
SR A 117	110	4	SR A 162	152.5	4
			SR A 165	155.5	4
SR A 118	110	4			
SR A 120	113	4	SR A 167	157.5	4
SR A 122	115	4	SR A 168	157.5	4
			SR A 170	160.5	4
SR A 125	118	4			
SR A 127	120	4	SR A 172	160.5	4
SR A 128	120	4	SR A 175	165.5	4
			SR A 177	167.5	4
SR A 130	123	4			
SR A 132	125	4	SR A 178	167.5	4
SR A 135	128	4	SR A 180	170.5	4
			SR A 182	170.5	4
SR A 137	130	4			
SR A 138	130	4	SR A 185	175.5	4
SR A 140	133	4	SR A 187	177.5	4
			SR A 188	177.5	4
SR A 142	135	4			
SR A 145	138	4	SR A 190	180.5	4
SR A 147	140	4	SR A 192	180.5	4
			SR A 195	185.5	4
SR A 148	140	4			
SR A 150	142	4	SR A 197	187.5	4
SR A 152	143	4	SR A 198	187.5	4
			SR A 200	190.5	4

Sicherungsringe für Wellen, DIN 471

ungespannt						Type (d1)	d3	s
						SR A 500	480	7
						SR A 510	485	8
						SR A 520	495	8
						SR A 530	505	8
						SR A 540	515	8
						SR A 550	525	8
						SR A 560	535	8
						SR A 570	545	8
						SR A 580	555	8
						SR A 590	565	8
						SR A 600	575	8
						SR A 650	620	9
						SR A 700	670	9
						SR A 750	715	9
						SR A 800	765	9
						SR A 850	810	9
						SR A 900	860	9
						SR A 950	900	9
						SR A 1000	950	9
Type (d1)	d3	s	Type (d1)	d3	s			
SR A 265	250	5	SR A 330	313	6			
SR A 267	250	5	SR A 335	318	6			
SR A 268	250	5	SR A 340	323	6			
SR A 270	255	5	SR A 345	328	6			
SR A 272	255	5	SR A 350	333	6			
SR A 275	260	5	SR A 355	338	6			
SR A 277	260	5	SR A 360	343	6			
SR A 278	260	5	SR A 365	348	6			
SR A 280	265	5	SR A 370	353	6			
SR A 282	265	5	SR A 375	358	6			
SR A 285	270	5	SR A 380	363	6			
SR A 287	270	5	SR A 385	368	6			
SR A 288	270	5	SR A 390	373	6			
SR A 290	275	5	SR A 395	378	6			
SR A 292	275	5	SR A 400	383	6			
SR A 295	280	5	SR A 410	390	7			
SR A 297	280	5	SR A 420	400	7			
SR A 298	280	5	SR A 430	410	7			
SR A 300	285	5	SR A 440	420	7			
SR A 305	288	6	SR A 450	430	7			
SR A 310	293	6	SR A 460	440	7			
SR A 315	298	6	SR A 470	450	7			
SR A 320	303	6	SR A 480	460	7			
SR A 325	308	6	SR A 490	470	7			

Sicherungsringe für Bohrungen, DIN 472



Type (d1)	d3	s
SR I 057	61.2	2
SR I 058	62.2	2
SR I 060	64.2	2
SR I 062	66.2	2
SR I 063	67.2	2

Type (d1)	d3	s
-----------	----	---

SR I 008	8.7	0.8
SR I 009	9.8	0.8
SR I 010	10.8	1

SR I 011	11.8	1
SR I 012	13	1
SR I 013	14.1	1

SR I 014	15.1	1
SR I 015	16.2	1
SR I 016	17.3	1

SR I 017	18.3	1
SR I 018	19.5	1
SR I 019	20.5	1

SR I 020	21.5	1
SR I 021	22.5	1
SR I 022	23.5	1

SR I 023	24.6	1.2
SR I 024	25.9	1.2
SR I 025	26.9	1.2

SR I 026	27.9	1.2
SR I 027	29.1	1.2
SR I 028	30.1	1.2

SR I 029	31.1	1.2
SR I 030	32.1	1.2
SR I 031	33.4	1.2

Type (d1)	d3	s
-----------	----	---

SR I 032	34.4	1.2
----------	------	-----

SR I 033	35.5	1.2
SR I 034	36.5	1.5
SR I 035	37.8	1.5

SR I 036	38.8	1.5
SR I 037	39.8	1.5
SR I 038	40.8	1.5

SR I 039	42	1.5
SR I 040	43.5	1.75
SR I 041	44.5	1.75

SR I 042	45.5	1.75
SR I 043	46.5	1.75
SR I 044	47.5	1.75

SR I 045	48.5	1.75
SR I 047	50.5	1.75
SR I 048	51.5	1.75

SR I 050	54.2	2
SR I 051	55.2	2
SR I 052	56.2	2

SR I 053	57.2	2
SR I 054	58.2	2
SR I 055	59.2	2

SR I 056	60.2	2
----------	------	---

SR I 064	68.2	2
SR I 065	69.2	2.5
SR I 067	71.5	2.5

SR I 068	72.5	2.5
SR I 070	74.5	2.5
SR I 072	76.5	2.5

SR I 075	79.5	2.5
SR I 077	82.5	2.5
SR I 078	82.5	2.5

SR I 080	85.5	2.5
SR I 081	86.5	2.5
SR I 082	87.5	2.5

SR I 083	88.5	2.5
SR I 085	90.5	3
SR I 087	93.5	3

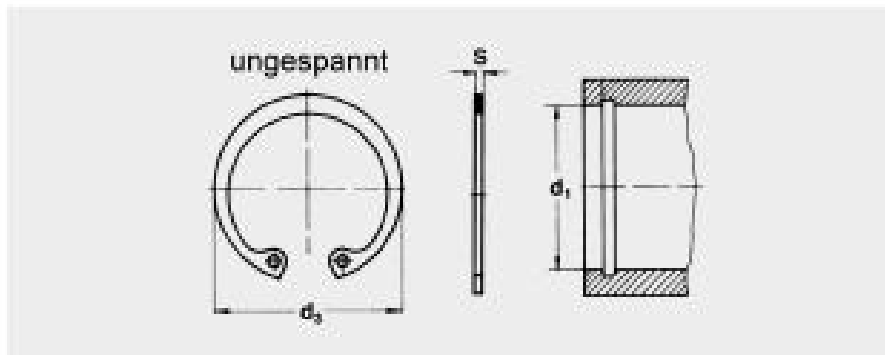
SR I 088	93.5	3
SR I 090	95.5	3
SR I 092	97.5	3

SR I 095	100.5	3
SR I 097	103.5	3
SR I 098	103.5	3

SR I 100	105.5	3
SR I 102	108	4
SR I 105	112	4

SR I 107	115	4
----------	-----	---

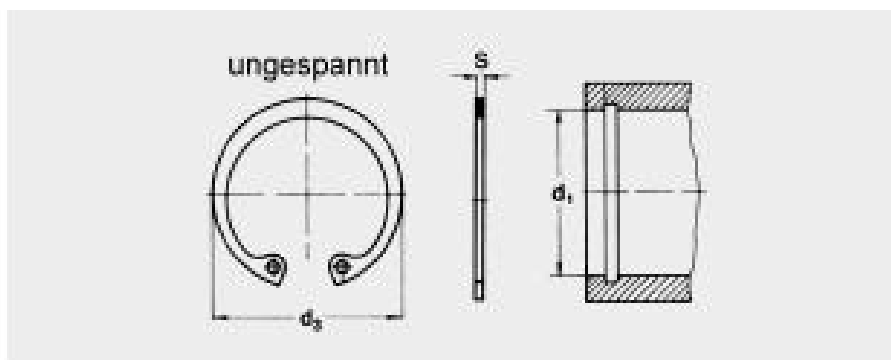
Sicherungsringe für Bohrungen, DIN 472



Type (d1)	d3	s
SR I 202	214	5
SR I 205	217	5
SR I 207	217	5
SR I 208	222	5
SR I 210	222	5
SR I 212	222	5
SR I 215	227	5
SR I 217	227	5
SR I 218	232	5
SR I 220	232	5
SR I 222	232	5
SR I 225	237	5
SR I 227	237	5
SR I 228	242	5
SR I 230	242	5
SR I 232	242	5
SR I 235	247	5
SR I 237	247	5
SR I 238	252	5
SR I 240	252	5
SR I 242	252	5
SR I 245	257	5
SR I 247	257	5
SR I 248	262	5
SR I 250	262	5
SR I 252	262	5
SR I 255	270	5
SR I 257	270	5
SR I 258	275	5
SR I 260	275	5
SR I 262	275	5

Type (d1)	d3	s	Type (d1)	d3	s
SR I 108	115	4	SR I 155	164	4
SR I 110	117	4	SR I 157	167	4
			SR I 158	167	4
SR I 112	119	4			
SR I 115	122	4	SR I 160	169	4
SR I 117	125	4	SR I 162	171.5	4
			SR I 165	174.5	4
SR I 118	125	4			
SR I 120	127	4	SR I 167	177.5	4
SR I 122	129	4	SR I 168	177.5	4
			SR I 170	179.5	4
SR I 125	132	4			
SR I 127	135	4	SR I 172	181.5	4
SR I 128	135	4	SR I 175	184.5	4
			SR I 177	187.5	4
SR I 130	137	4			
SR I 132	139	4	SR I 178	187.5	4
SR I 135	142	4	SR I 180	189.5	4
			SR I 182	191.5	4
SR I 137	145	4			
SR I 138	145	4	SR I 185	194.5	4
SR I 140	147	4	SR I 187	197.5	4
			SR I 188	197.5	4
SR I 142	149	4			
SR I 145	152	4	SR I 190	199.5	4
SR I 147	155	4	SR I 192	201.5	4
			SR I 195	204.5	4
SR I 148	155	4			
SR I 150	158	4	SR I 197	207.5	4
SR I 152	161	4	SR I 198	207.5	4
			SR I 200	209.5	4

Sicherungsringe für Bohrungen, DIN 472



Type (d1)	d3	s	Type (d1)	d3	s
SR 265	280	5	SR 330	347	6
SR 267	280	5	SR 335	352	6
SR 268	285	5	SR 340	357	6
SR 270	285	5	SR 345	362	6
SR 272	285	5	SR 350	367	6
SR 275	290	5	SR 355	372	6
SR 277	290	5	SR 360	377	6
SR 278	295	5	SR 365	382	6
SR 280	295	5	SR 370	387	6
SR 282	295	5	SR 375	392	6
SR 285	300	5	SR 380	397	6
SR 287	300	5	SR 385	402	6
SR 288	305	5	SR 390	407	6
SR 290	305	5	SR 395	412	6
SR 292	305	5	SR 400	417	6
SR 295	310	5	SR 410	430	7
SR 297	310	5	SR 420	440	7
SR 298	315	5	SR 430	450	7
SR 300	315	5	SR 440	460	7
SR 305	322	6	SR 450	470	7
SR 310	327	6	SR 460	480	7
SR 315	332	6	SR 470	490	7
SR 320	337	6	SR 480	500	7
SR 325	342	6	SR 490	510	7

Type (d1)	d3	s
SR 500	520	7
SR 510	535	8
SR 520	545	8
SR 530	555	8
SR 540	565	8
SR 550	575	8
SR 560	585	8
SR 570	595	8
SR 580	605	8
SR 590	615	8
SR 600	625	8
SR 650	680	9
SR 700	730	9
SR 750	785	9
SR 800	835	9
SR 850	890	9
SR 900	940	9
SR 950	1000	9
SR 1000	1050	9